

READ AND FOLLOW ALL SAFETY INSTRUCTIONS! SAVE THESE INSTRUCTIONS AND DELIVER TO OWNER AFTER INSTALLATION.

**⚠ WARNING: RISK OF ELECTRIC SHOCK**

- Before installation or servicing DISCONNECT POWER BY TURNING OFF THE CIRCUIT breakers both to the outlet box and to its associated wall switch.
- Installation and service of luminaires should be performed by a qualified licensed electrician in accordance with all local and National Electrical Codes.
- DO NOT install damaged product
- Verify that supply voltage is correct by comparing it with the luminaire label information.
- All wiring connections should be capped with UL approved recognized wire connectors.

**⚠ WARNING: RISK OF INJURY**

- Allow luminaire to cool before servicing.
- Follow all manufacturer's warning and restrictions for driver type, mounting locations, replacement and recycling.
- Wear safety glasses and gloves when installing, maintaining or servicing.
- Avoid direct eye exposure to the light source while it is on.

**⚠ WARNING: RISK OF PRODUCT DAMAGE**

- Never connect components under load.
- Do not touch the yellow surface of the LED as it may damage the light engine.

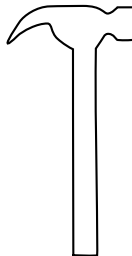
**⚠ WARNING**

- DO NOT separate any other wires that may be in the box.
- DO NOT damage the insulation of older wiring.
- In regular circumstances the BLACK wire will be the "Hot" lead and the WHITE wire will be the "Neutral" or "Common" lead. A GREEN or BARE COPPER wire is "Ground". In older buildings, it is always good practice to reconfirm the polarity of the wiring.

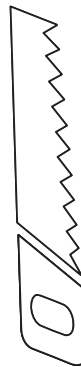
### TOOLS REQUIRED



Flat Head Screw Driver

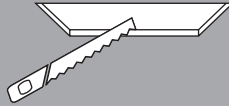


Claw Hammer



Drywall Saw

### CEILING CUTOUT TABLE

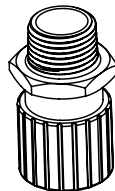


2.75" HOUSING		3.75" HOUSING	
1 HEAD	3 <sup>5</sup> / <sub>8</sub> " x 3 <sup>5</sup> / <sub>8</sub> " (92 x 92 mm)	1 HEAD	4 <sup>5</sup> / <sub>8</sub> " x 4 <sup>5</sup> / <sub>8</sub> " (118 x 118 mm)
2 HEADS	3 <sup>5</sup> / <sub>8</sub> " x 6 <sup>3</sup> / <sub>8</sub> " (92 x 162 mm)	2 HEADS	4 <sup>5</sup> / <sub>8</sub> " x 8 <sup>3</sup> / <sub>8</sub> " (118 x 213 mm)
3 HEADS	3 <sup>5</sup> / <sub>8</sub> " x 9 <sup>1</sup> / <sub>8</sub> " (92 x 232 mm)	3 HEADS	4 <sup>5</sup> / <sub>8</sub> " x 12 <sup>1</sup> / <sub>8</sub> " (118 x 308 mm)
4 HEADS	3 <sup>5</sup> / <sub>8</sub> " x 11 <sup>7</sup> / <sub>8</sub> " (92 x 302 mm)	4 HEADS	4 <sup>5</sup> / <sub>8</sub> " x 15 <sup>7</sup> / <sub>8</sub> " (118 x 404 mm)
SQUARE	6 <sup>3</sup> / <sub>8</sub> " x 6 <sup>3</sup> / <sub>8</sub> " (162 x 162 mm)	SQUARE	8 <sup>3</sup> / <sub>8</sub> " x 8 <sup>3</sup> / <sub>8</sub> " (213 x 213 mm)

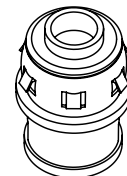
### ACCESSORIES REQUIRED



Electrical Wire Nut



Electrical Strain Relief

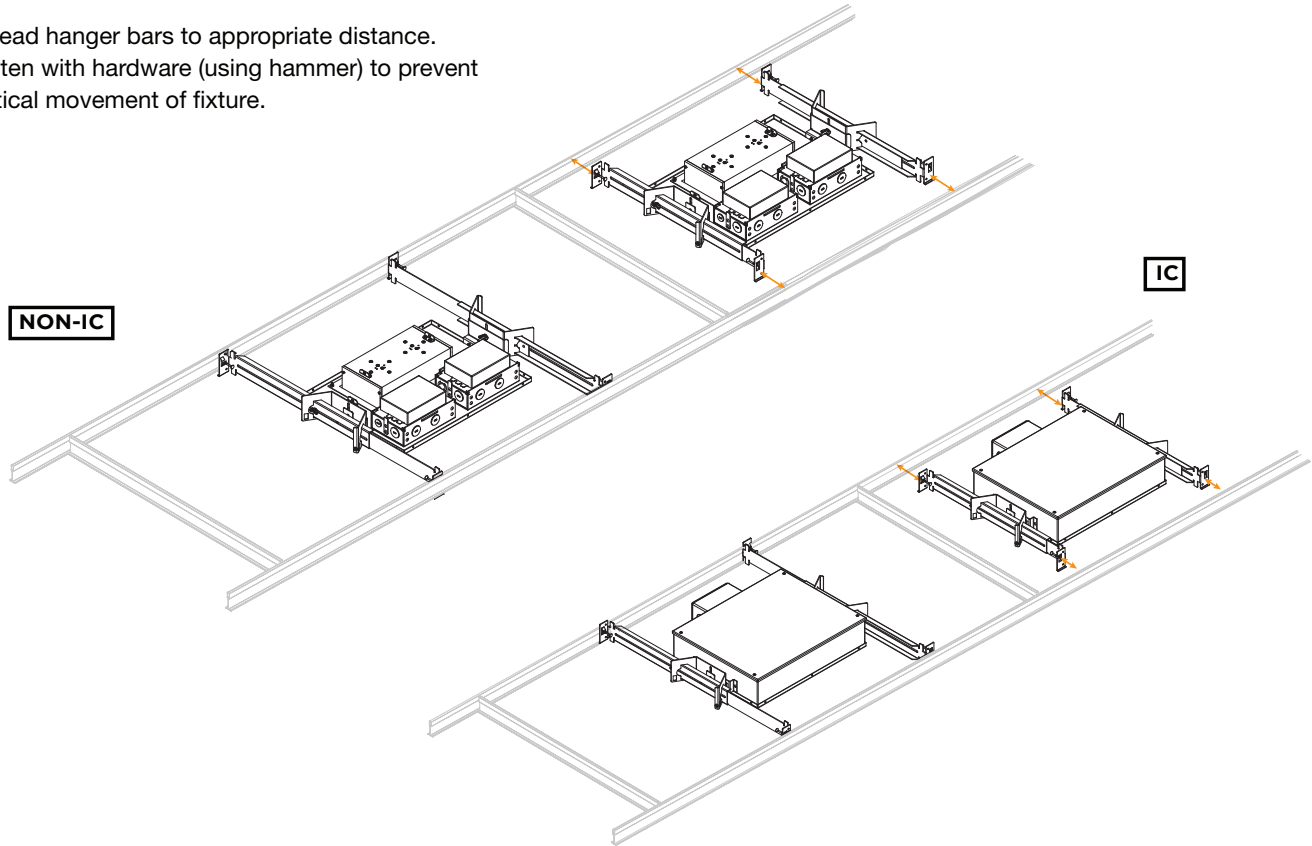


Conduit Connector

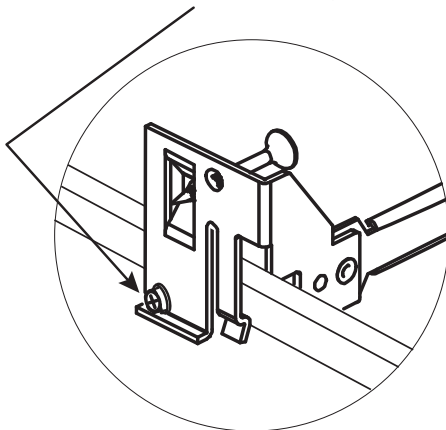
RECESSED HOUSING - NON-IC/IC/CHICAGO RATED

STEP 1 - Frame Install (Horizontal Adjustment)

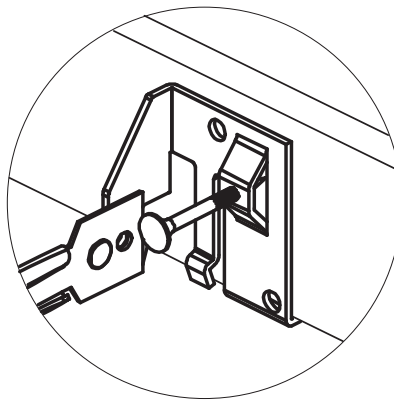
Spread hanger bars to appropriate distance.  
Fasten with hardware (using hammer) to prevent  
vertical movement of fixture.



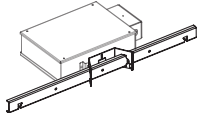
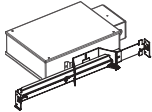
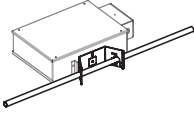
For T-Bar ceiling, screw mounting leg to T-Grid  
with provided #10 self drilling screws.



T-BAR

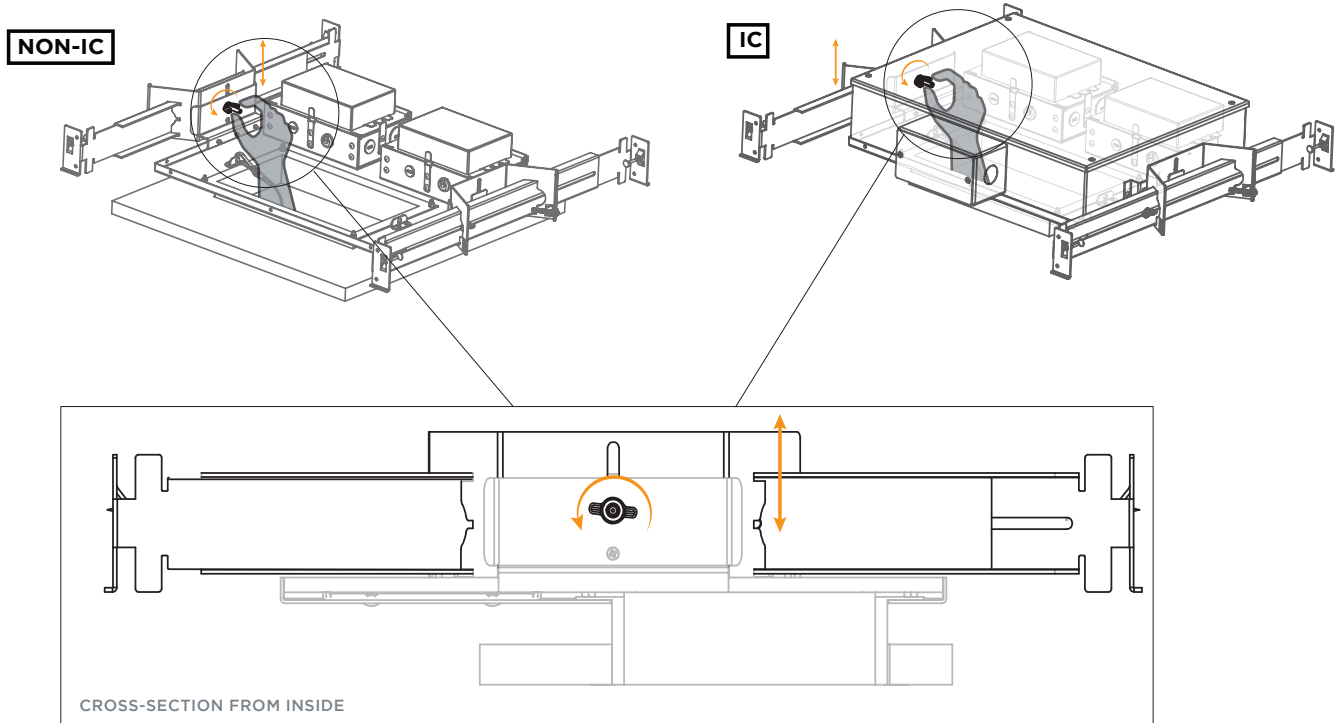


WOOD

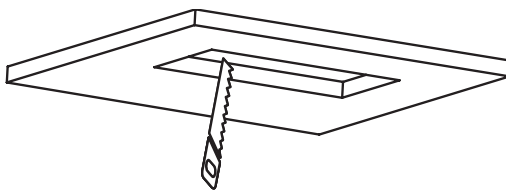
	C-Channel
	Wood-Joist
	EMT

### STEP 2 - Frame Install (Vertical Adjustment)

Loosen the wing nuts to adjust the height of the housing. Once positioned, tighten the wing nut.

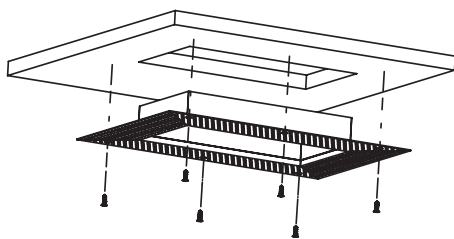


### STEP 3A - Ceiling Cutout

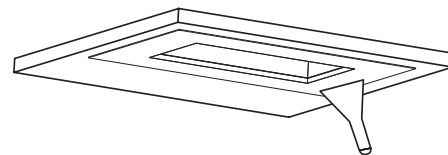


	2.75" HOUSING	3.75" HOUSING
1 HEAD	3 <sup>5</sup> / <sub>8</sub> " x 3 <sup>5</sup> / <sub>8</sub> " (92 x 92 mm)	1 HEAD 4 <sup>5</sup> / <sub>8</sub> " x 4 <sup>5</sup> / <sub>8</sub> " (118 x 118 mm)
2 HEADS	3 <sup>5</sup> / <sub>8</sub> " x 6 <sup>3</sup> / <sub>8</sub> " (92 x 162 mm)	2 HEADS 4 <sup>5</sup> / <sub>8</sub> " x 8 <sup>3</sup> / <sub>8</sub> " (118 x 213 mm)
3 HEADS	3 <sup>5</sup> / <sub>8</sub> " x 9 <sup>1</sup> / <sub>8</sub> " (92 x 232 mm)	3 HEADS 4 <sup>5</sup> / <sub>8</sub> " x 12 <sup>1</sup> / <sub>8</sub> " (118 x 308 mm)
4 HEADS	3 <sup>5</sup> / <sub>8</sub> " x 11 <sup>7</sup> / <sub>8</sub> " (92 x 302 mm)	4 HEADS 4 <sup>5</sup> / <sub>8</sub> " x 15 <sup>7</sup> / <sub>8</sub> " (118 x 404 mm)
SQUARE	6 <sup>3</sup> / <sub>8</sub> " x 6 <sup>3</sup> / <sub>8</sub> " (162 x 162 mm)	SQUARE 8 <sup>3</sup> / <sub>8</sub> " x 8 <sup>3</sup> / <sub>8</sub> " (213 x 213 mm)

### STEP 3B - Mudplate (For Trimless Only)



Attach mud plate to ceiling with screws



Cover mud plate with a thin layer of finish plaster

#### STEP 4 - Make Electrical Connection

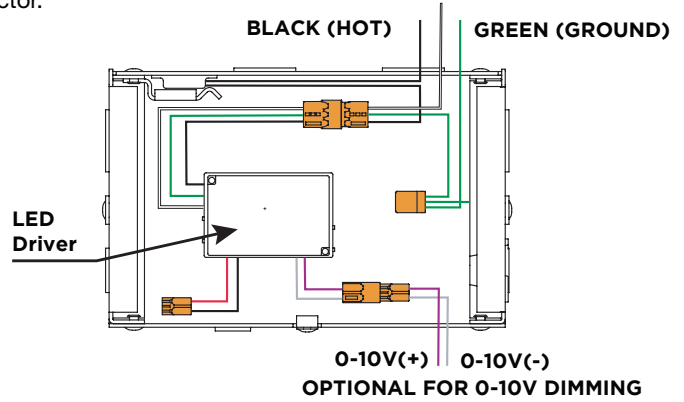
Connect conduit to junction box with UL listed conduit connector.

**⚠ WARNING**

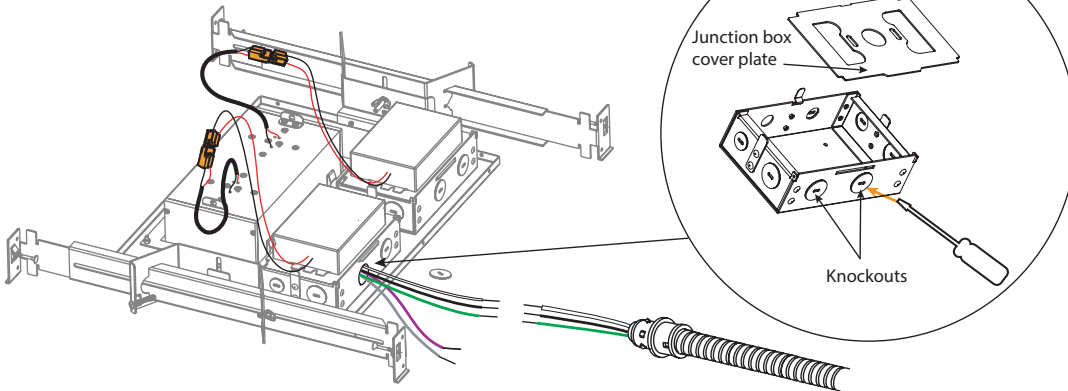
Make sure that there are no exposed strands of wire that could cause a dangerous short circuit!

**⚠ WARNING**

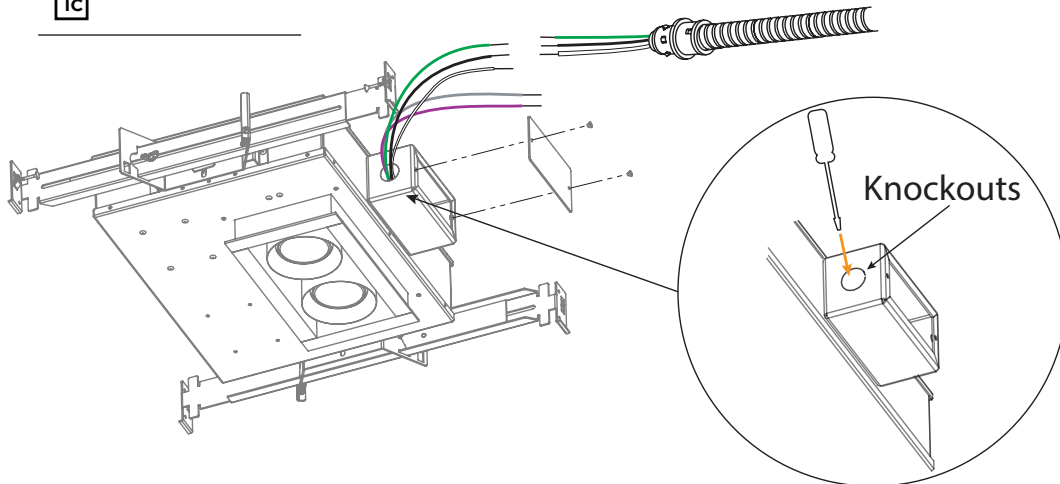
Never fasten the ground wire to the black or "hot" wire!  
Failure to follow this instruction could result in serious injury or death!



#### NON-IC

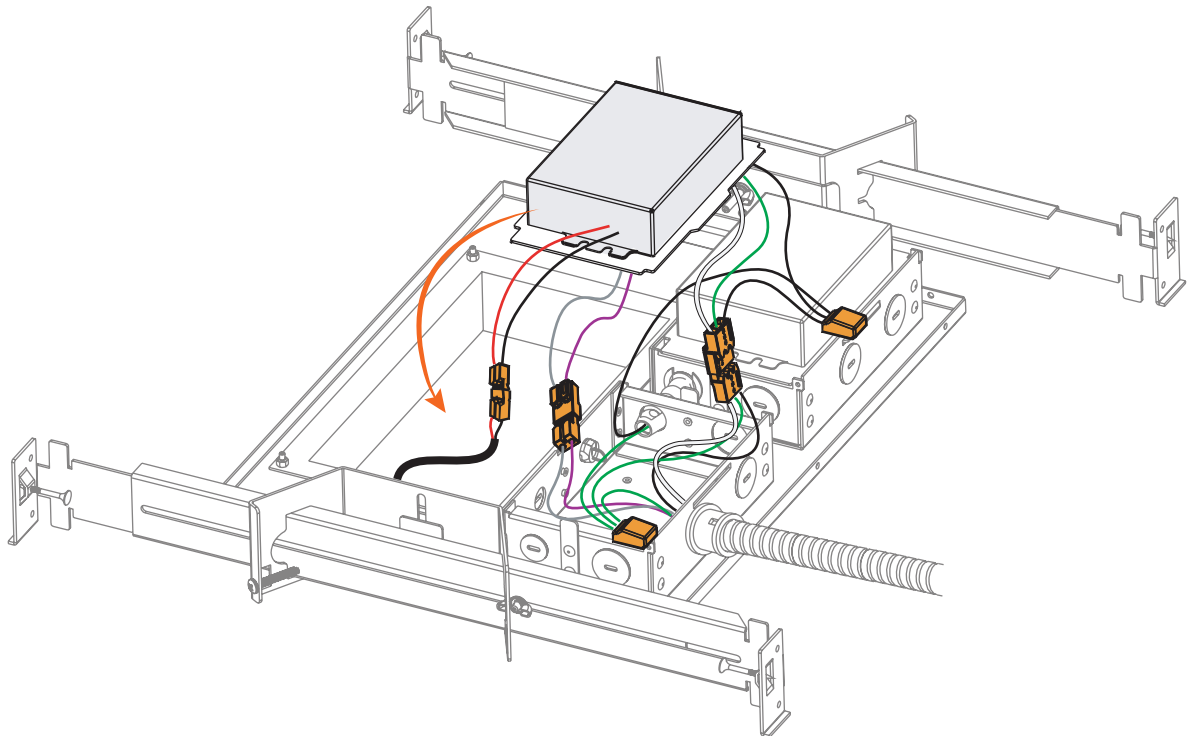
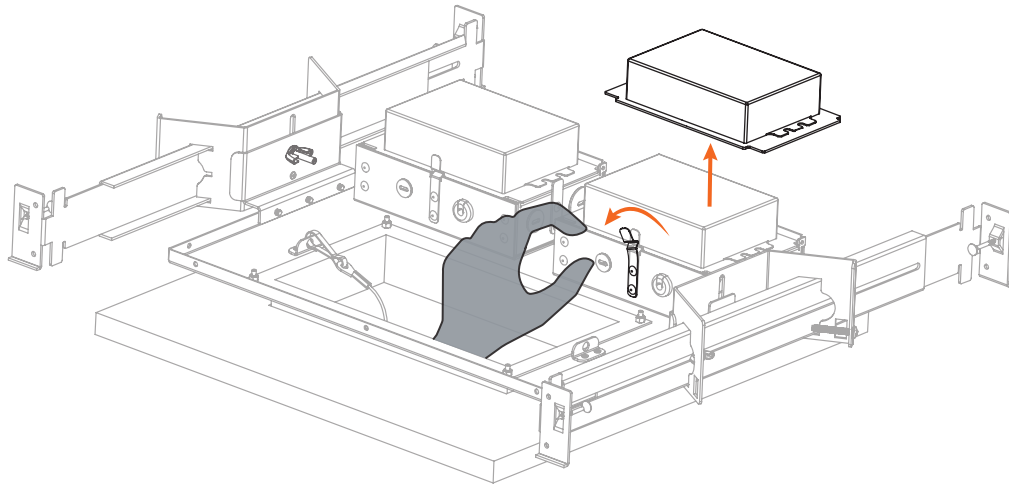


#### IC



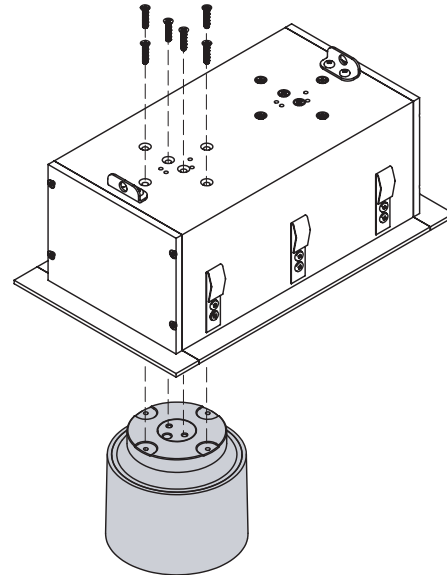
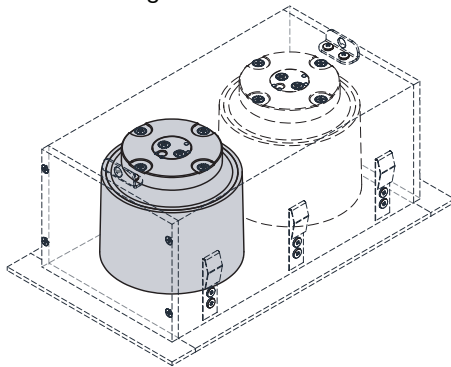
## DRIVER REPLACEMENT

Pull back the spring latch and pull-out the driver.

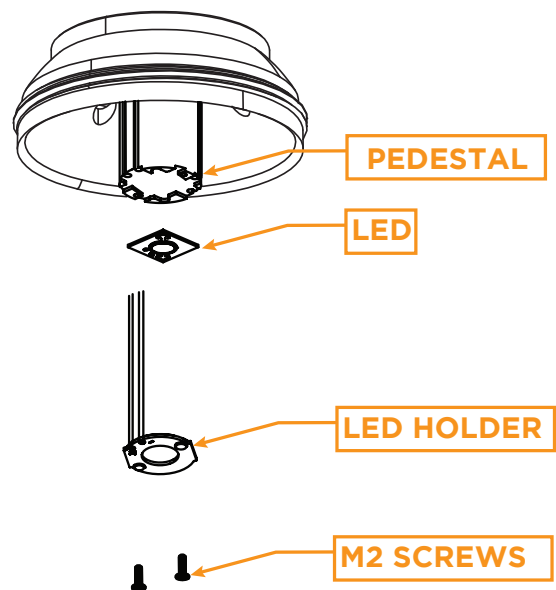
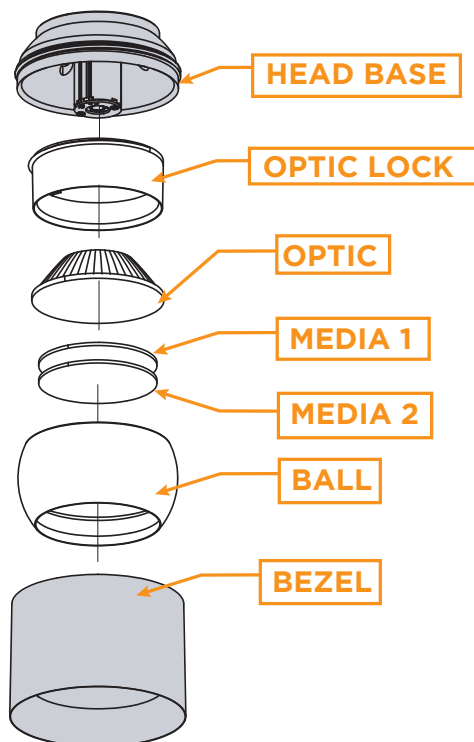


LED REPLACEMENT

Unscrew head lights from housing.

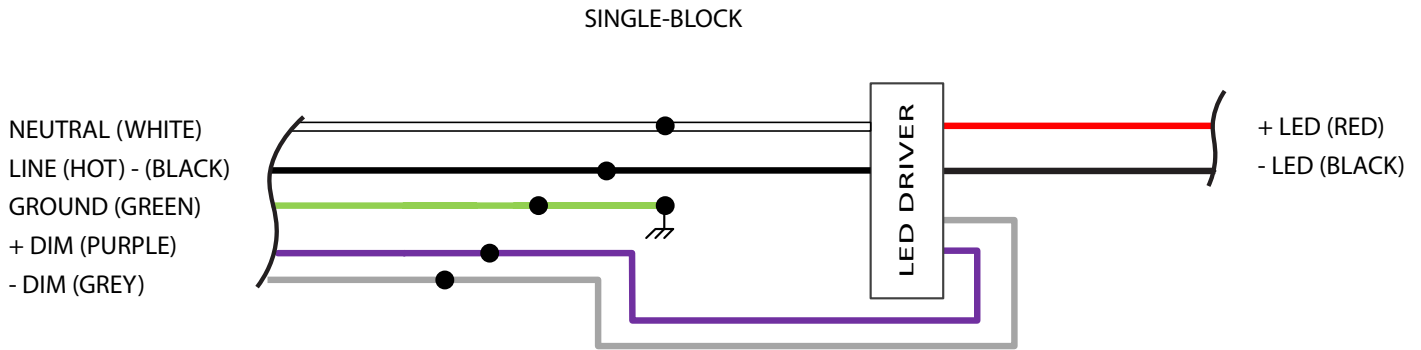


- Unthread the bezel from head base.
- Unscrew two M2 screws to remove LED holder.
- Replace the old LED with the new one.
- Reverse above step to assemble head light.



WIRING DIAGRAM

For Single-Block Connection



For Pass-Through Connection

